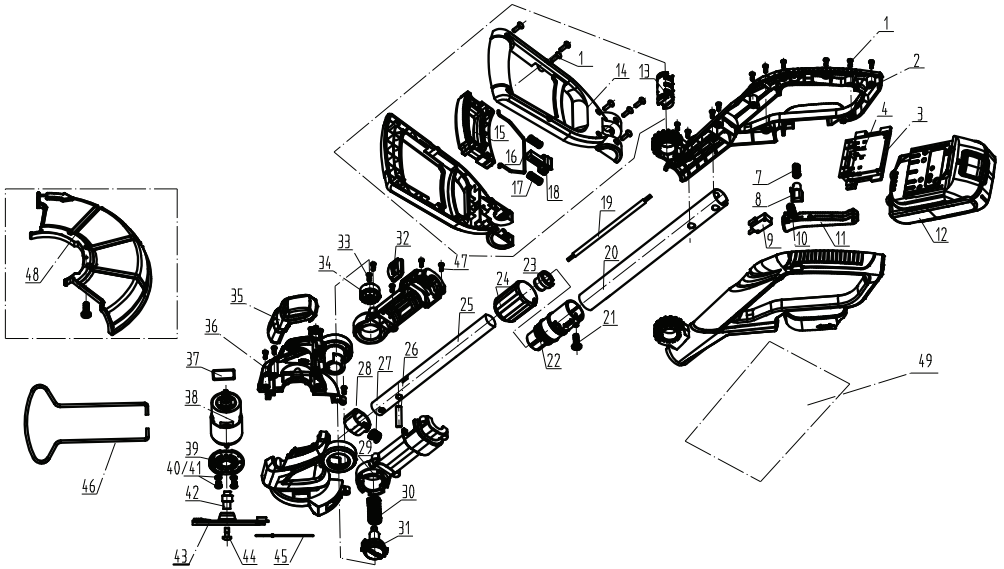


## EXPLODED VIEW OF GRASS TRIMMER RD-GTL22



						26		Stop pin	1	PA6+GF30	
						25		22Aluminum tube	1		
						24		Locking ring	1	PA6+GF30	
						23		Aluminum tubecase	1	PA6+GF30	
						22		Locking sleeve	1	PA6+GF30	
						21		screw	1	ST3*20	
						20		28Aluminum tube	1		
						19		Spring line	1		
						18		Handle buckle	1	PA6+GF30	
						17		spring	2	65Mn	
						16		Tie rod wire	1	65Mn	
						15		Handle knob	1	ABS	
						14		Handle	1	ABS	
						13		Rotating bracket	1	PA6+GF30	
						12		Battery pack	1	ABS	
						11		Switch	1	ABS	
						10		Switch spring	1	65Mn	
						9		ON/OFF switch	2	20A36VDC	
						8		Push button	1	ABS	
						7		push button	2	65Mn	
						6					
						5					
						4		Power base	1	PA6+GF30	
						3		PCB--KG1775	1		
						2		housing	1	ABS+TPE	
						1		screw	24	ST4*16	
49		charger	1								
48		Shield	1	PP							
47		screw	5	ST4*12							
46		Flower wire	1	65Mn							
45		Nylon Blade	1	PA							
44		Counter screw	1	M6*12							
43		Blade holder	1	PA6+GF30							
42		motor bush	1	SMF5040							
41		M4 screw	2	M4*10							
40		M4Spring washer	2								
39		motor cover	1	PA6+GF30							
38		motor	1	18V-8000RPM							
37		ring	1								
36		head housing	1	ABS							
35		case cover	1	ABS							
34		Rotating button	2	ABS							
33		screw	1	ST4*20							
32		trim button	1	ABS							
31		Rotating button	1	ABS							
30		spring	1	65Mn							
29		Turning-housing	1	ABS							
28		lock-catch	1	PA6+GF30							
27		spring	1	65Mn							
NO.	CODE	name	Num	material	Note	NO.	code	name	Num	material	Note